

F I S H E R & P A Y K E L

ACTIVESMART™ INTEGRATED SLIDE-IN REFRIGERATOR

RS90A & RS90AU models

INSTALLATION GUIDE

NZ AU GB IE HK SG IN

844219B 08.19

CONTENTS

FOLLOW THE INSTALLATION SEQUENCE RELEVANT TO YOUR CABINETRY

- ① SAFETY AND WARNINGS
- ② COMPONENTS LIST
- ③ PRODUCT AND CAVITY DIMENSIONS
- ④ DOOR PANEL DIMENSIONS
- ⑤ CUSTOM DOOR PANEL INSTALLATION DIMENSIONS
- ⑥ DOOR OPENING ROTATION
- ⑦ ELECTRICAL AND PLUMBING
- ⑧ BEFORE INSTALLATION
- ⑨ ATTACH ANTI-TIP BRACKET
- ⑩ REMOVE HINGE END CAPS
- ⑪ CONNECT TO WATER AND ELECTRICAL SUPPLY
- ⑫ ALIGN YOUR PRODUCT INSIDE THE CABINETRY
- ⑬ ASSEMBLE THE DOOR PANEL SET
- ⑭ HANG THE DOOR PANELS
- ⑮ FIX THE BRACKETS AND RE-INSTALL THE END HINGE CAPS
- ⑯ INSTALL WATER FILTER AND TOE KICK GRILLE
- ⑰ ATTACH COVERS AND DOOR/DRAWER TRIMS
- ⑱ FINAL CHECKLIST

① SAFETY AND WARNINGS

⚠ WARNING!



Electric Shock Hazard

Read and follow the safety and warnings outlined in this installation guide before operating this appliance.

Failure to do so can result in death, electric shock, fire or injury to persons.

⚠ WARNING!



Cut Hazard

Take care - panel edges are sharp. Failure to use caution could result in injury or cuts.

⚠ WARNING!



This appliance is top-heavy and must be secured to prevent the possibility of tipping forward.

To ensure that the appliance is stable under all loading conditions, the anti-tip bracket and fittings supplied must be installed according to the following installation instructions by a professional installer.

IMPORTANT!

The water connection to your Ice & water refrigerator must be installed by an authorised plumber or Fisher & Paykel trained and supported service technician and comply with all state and local laws.

Installation and use **MUST** comply with all state and local plumbing codes. Check with your local public works department for plumbing codes. You must follow their guidelines as you install the water filtration system.

To avoid serious illness or death, only connect your water filter to safe drinking water. The water filter cartridge needs to be changed when the replacement indicator icon illuminates. This will happen every 6 months.

If the water filtration system has been allowed to freeze, replace filter cartridge.

Failure to replace the disposable filter at recommended intervals may lead to reduced filter performance and failure of the filter, causing property damage from water leakage or flooding.

In cases of excessively reduced filter life—we recommend that you consult a local plumber or your water supplier for advice on suitable filtration requirements for the water supplied to your home.

Filter replacement is the consumer's responsibility and will not be covered by the warranty except in the case of faulty parts or materials within the filter cartridge.

If the water has not created ice for some time or ice has an unpleasant taste or odour dispose of ice and refer to the flushing instructions detailed in the installation section of this user guide/installation guide. If unpleasant taste or odor persists, you may wish to fit a new filter cartridge.

Use new tubing supplied with the refrigerator. **DO NOT** reuse old tubing from old water and ice connections.

Your water filtration system can withstand up to 827kPa of water pressure. Ensure the supplied pressure reducing valve is installed before installing the water filtration system. **DO NOT** install if water pressure exceeds 827kPa.

To reduce the risk associated with property damage due to water leakage or flooding: **DO NOT** install systems in areas where ambient temperatures may go above 38°C or drop below 0.6°C.

DO NOT install on hot water supply lines. The maximum operating water temperature of this filter system is 38°C.

DO NOT install where water hammer conditions may occur. If water hammer conditions exist, you must install a water hammer arrester.

WARNING!

To reduce the risk associated with choking:

DO NOT allow children under 3 years of age to have access to small parts during the installation of the water filter.

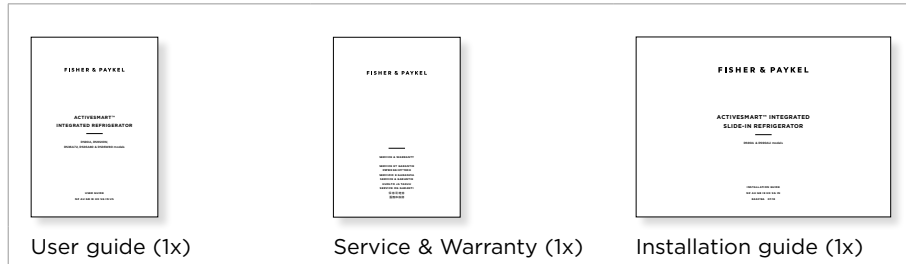
IMPORTANT!

SAVE THESE INSTRUCTIONS

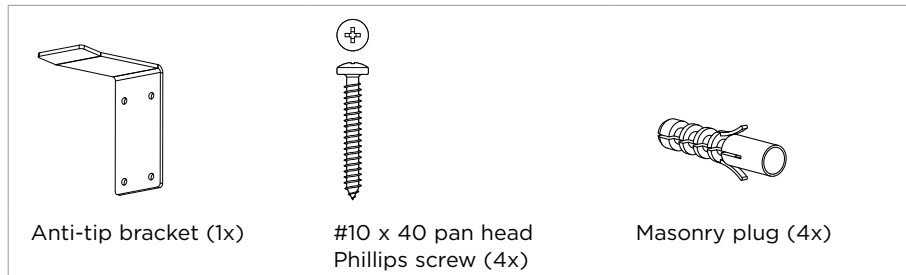
The models shown in this installation guide may not be available in all markets and are subject to change at any time. For current details about model and specification availability in your country, go to our website fisherpaykel.com or contact your local Fisher & Paykel dealer.

② COMPONENTS LIST

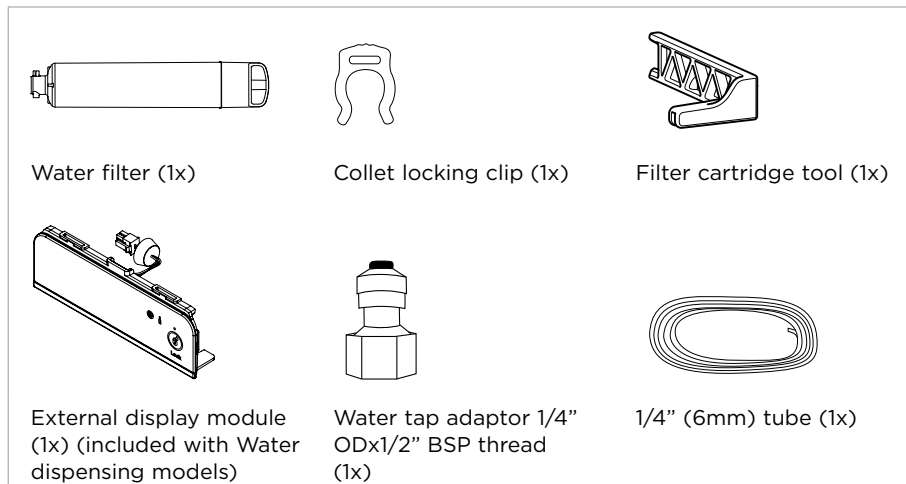
MI (miscellaneous items) pack—included with the refrigerator



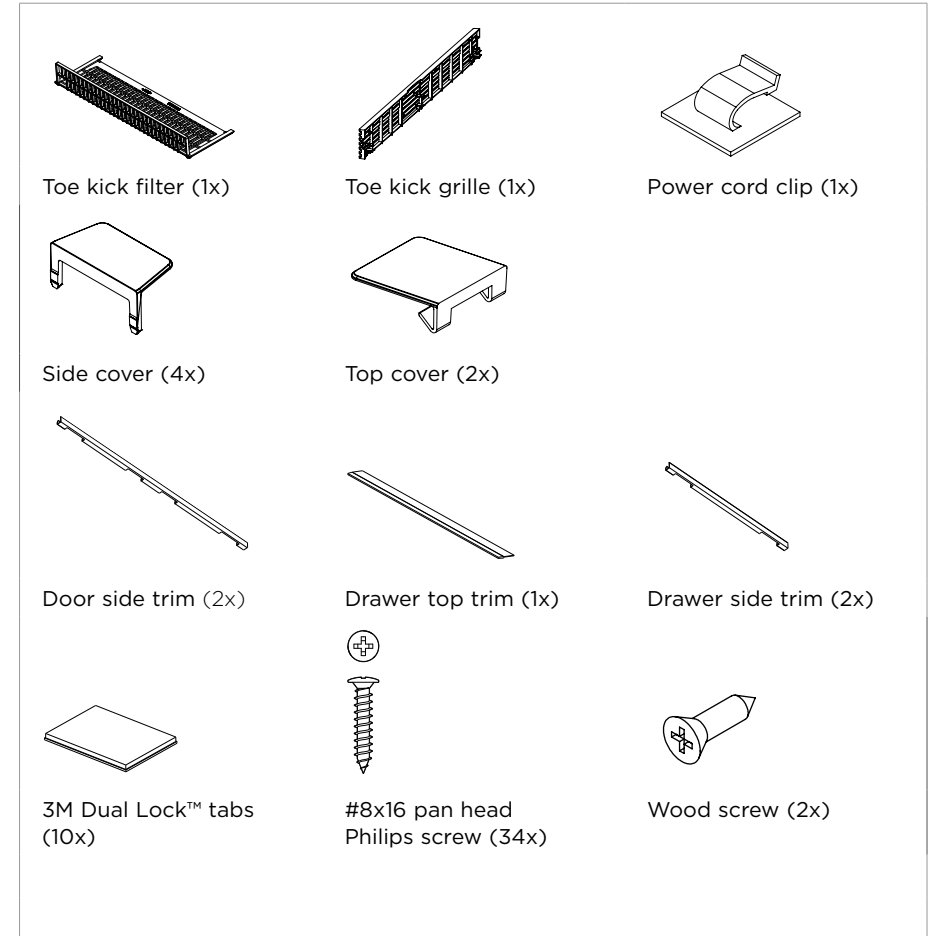
Anti-tip bracket fittings—included with the refrigerator



Water filter install kit—included with the refrigerator

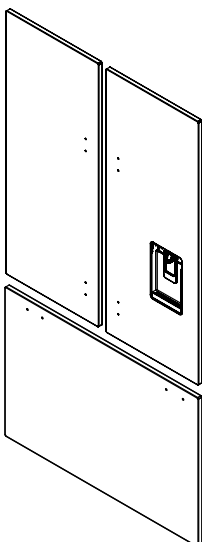
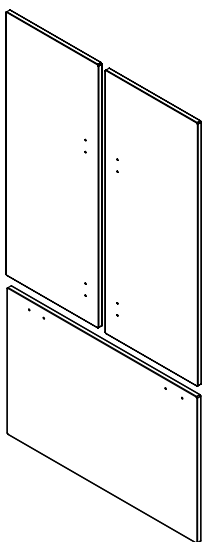


Product accessories—included with the refrigerator


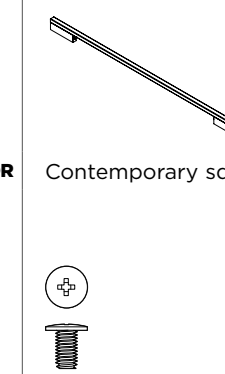


2 COMPONENTS LIST

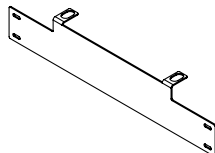
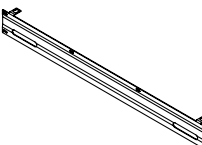
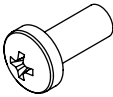
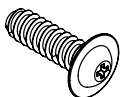

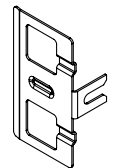
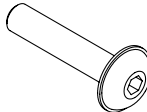
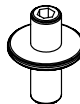
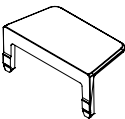
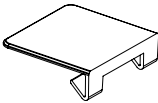
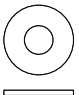
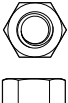
Door panel set

 <p>Fisher & Paykel (Stainless steel) door panel set is not included with the refrigerator and must be purchased separately.</p> <p>Door panel set: Non-Water dispensing French panel (1x) Ice & Water French panel (1x) Drawer panel (1x)</p> <p>Model number: RD90 / RD90U</p>	 <p>Custom door panel set is only applicable for non-Water dispensing models. Customers can supply their own Custom door panel to match their cabinetry.</p> <p>Door panel set: Non-Water dispensing French panels (2x) Drawer panel (1x)</p>
---	---

Door handle kit — not included with the refrigerator and must be purchased separately

 <p>Professional round door handle (3x)</p> <p>M5x25 pan head socket screw (12x)</p>	<p>OR</p>  <p>Contemporary square handle (3x)</p> <p>M5x14 Mush Phillips SS (34x)</p>
---	---

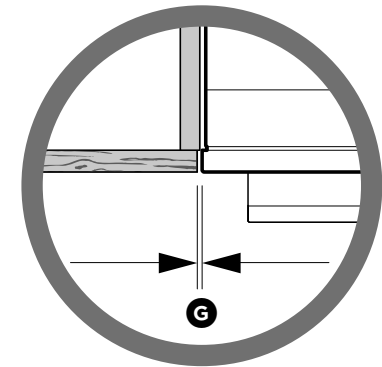
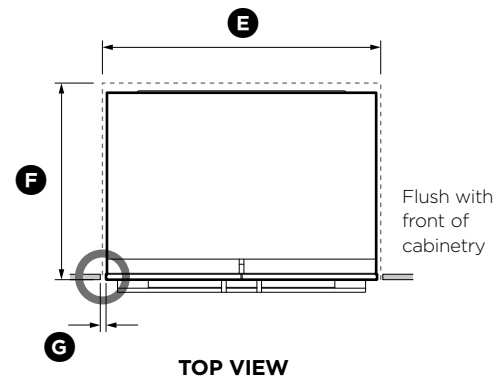
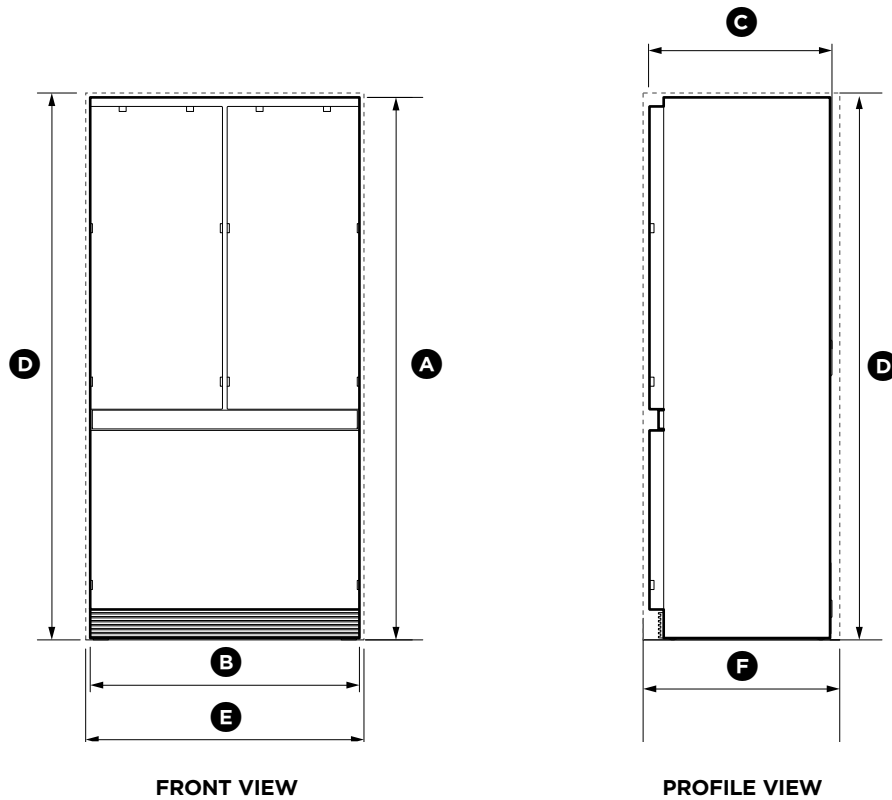
Door panel fittings — included with the refrigerator

 <p>French door hanging bracket (2x)</p>	 <p>Drawer hanging bracket (1x)</p>	 <p>Side screw (10x)</p>	 <p>Screw washer 4x14 (34x)</p>
 <p>Side strap (10x)</p>	 <p>Side bracket (10x)</p>	 <p>Handle screw (12x)</p>	 <p>Top stud (6x)</p>
 <p>Side cover (4x)</p>	 <p>Top cover (2x)</p>	 <p>M8 washer (6x)</p>	 <p>M8 nut (6x)</p>

③ PRODUCT AND CAVITY DIMENSIONS

IMPORTANT!

For ease of installation, ensure cavity width is consistent top to bottom and height is consistent left to right.



Note: shown with Standard Fisher & Paykel door panels (Stainless steel) attached to fridge

	RS90A / RS90AU
PRODUCT DIMENSIONS	mm
Ⓐ Overall height of product*	1798
Ⓑ Overall width of product	896
Ⓒ Overall depth of product (without door panels)	606

* Includes mounted feet

	RS90A / RS90AU
CAVITY DIMENSIONS	mm
Ⓓ Overall height of cavity	1800
Ⓔ Overall width of cavity	900 / 904**
Ⓕ Overall depth of cavity	650
Ⓖ Minimum cabinetry gap clearance from edge of product	4

** Cavity width when adjoining cabinetry cannot share 4mm door gap,

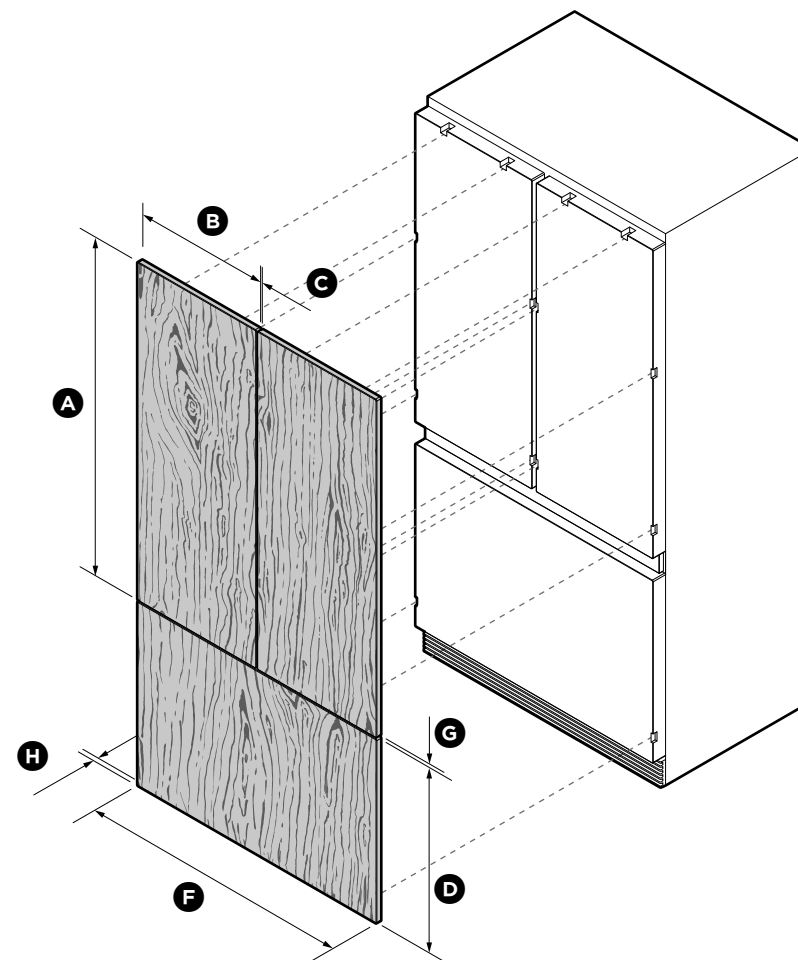
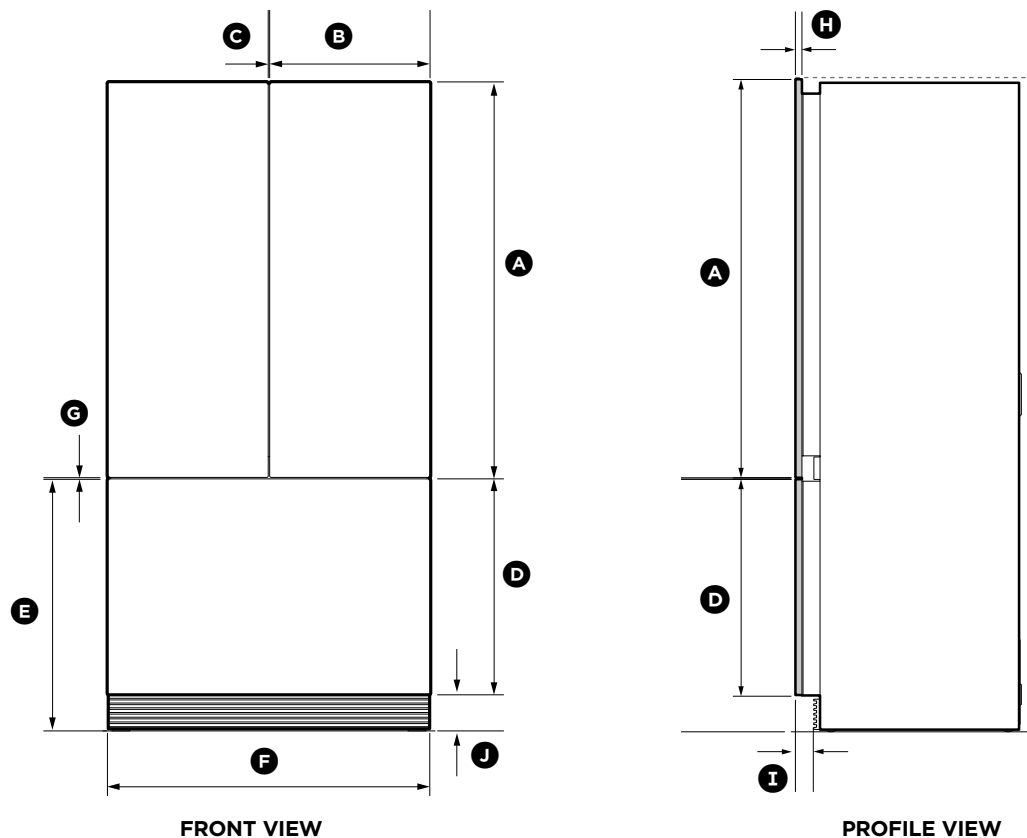
1 Total front panel width with required gaps at sides = 904mm (Ⓔ product width + 2 x Ⓖ cabinetry gaps).

2 For flush cabinet situation where the gap cannot be shared between the fridge and adjoining cabinet, make the cavity width 904mm and open totally within itself.

3 Total front panel height with required gap above = 1802mm.

RS90A model shown with RD90 door panels

④ DOOR PANEL DIMENSIONS



DOOR PANEL DIMENSIONS		STAINLESS STEEL/CUSTOM	mm
Ⓐ	Height of each top door panel		1096
Ⓑ	Width of each top door panel		446
Ⓒ	Gap between top door panels		4
Ⓓ	Height of bottom drawer panel		598
Ⓔ	Height from bottom of product to top of bottom drawer panel		698
Ⓕ	Width of bottom drawer panel		896
Ⓖ	Gap between top door panels and bottom drawer panel		4
Ⓗ	Depth of each door panel (without handle)		18
Ⓘ	Depth of grille (measured from front of door panels)		100
Ⓙ	Height of grille		100

Custom door panels can be only be used for non-Water dispensing models.

Custom door panels and handles to be manufactured and fitted by cabinetmaker.

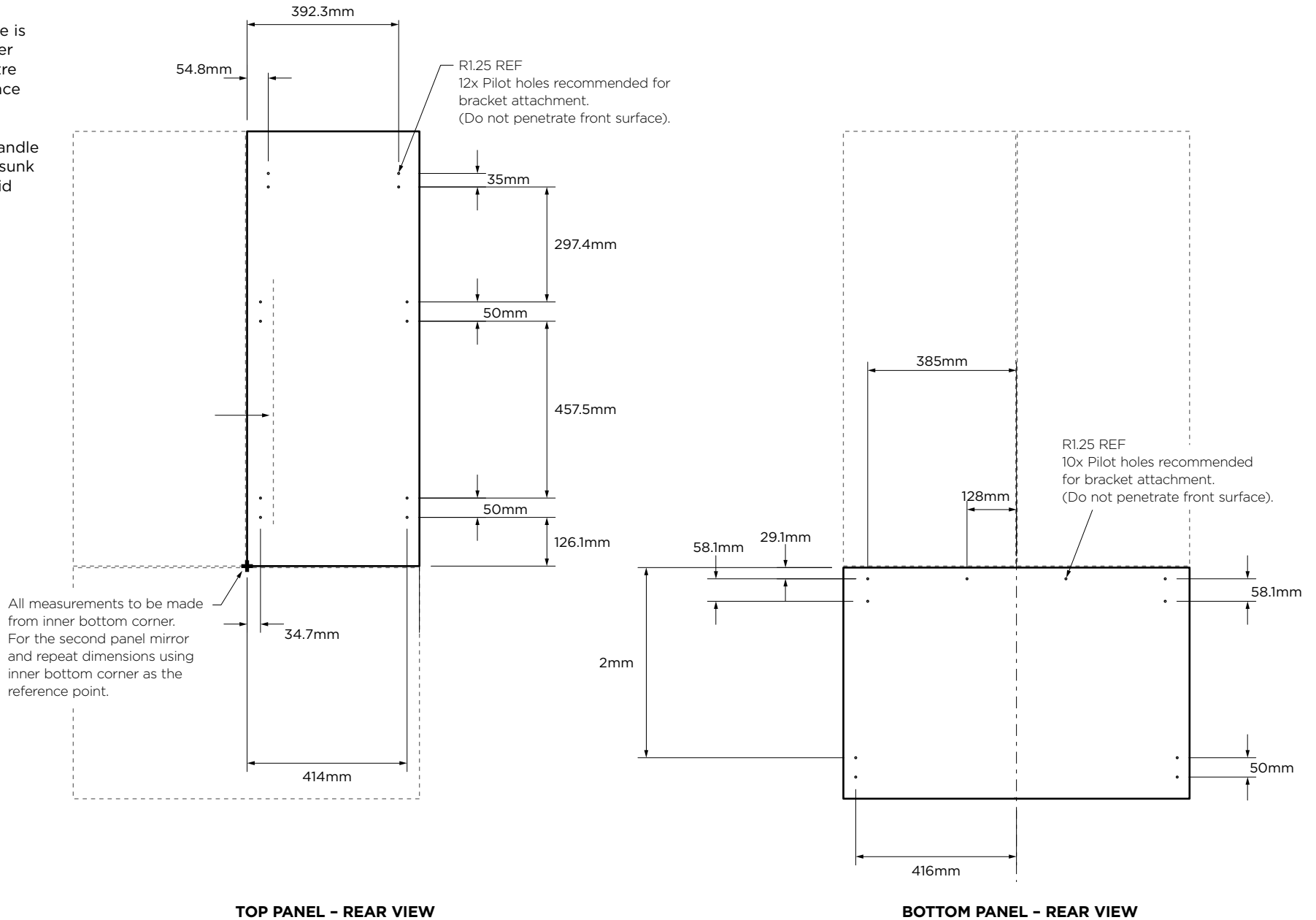
⑤ CUSTOM DOOR PANEL INSTALLATION DIMENSIONS

The following drawings apply to non-Ice & Water models only. For Dwg and Dxf files of the below panel preparation download the folder on thekitchentools.fisherpaykel.com

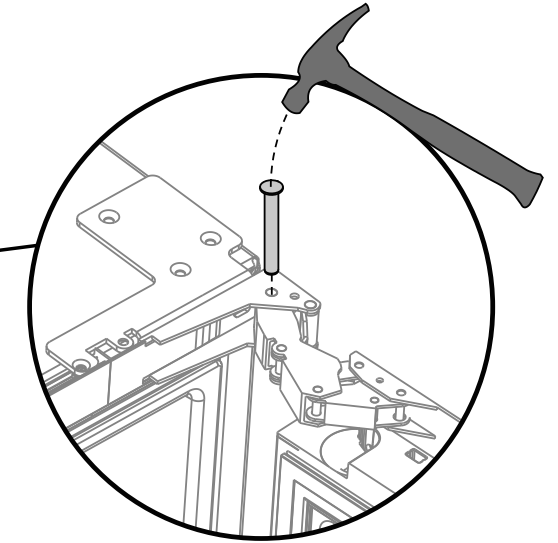
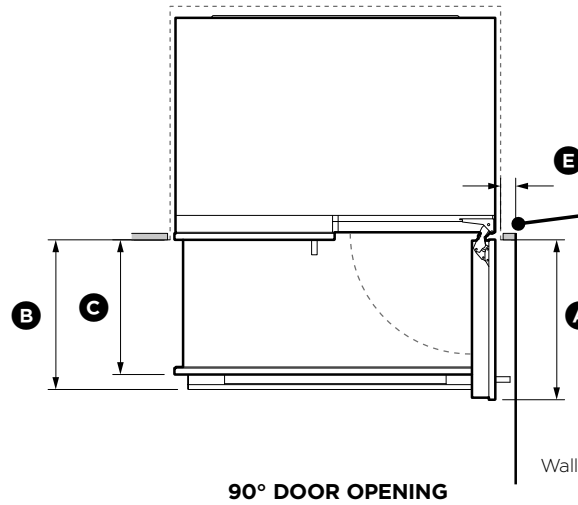
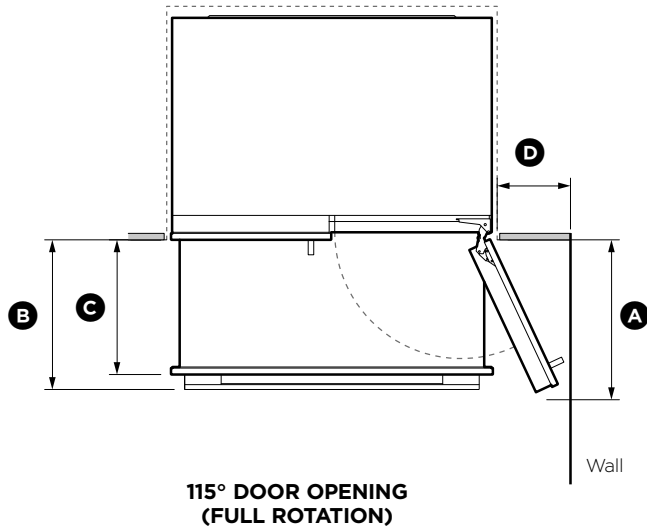
Handle details

Top panel – Ensure handle is mounted 65mm from inner edge of panel to the centre – this will avoid interference with brackets.

Bottom panel – Ensure handle screw heads are counter sunk into back of panel to avoid interfering with hanging bracket.



⑥ DOOR OPENING ROTATION



DOOR CLEARANCE DIMENSIONS	RS90A/RS90AU mm
① Depth of door (widest opening) measured from front of door	445
② Depth of drawer (open) measured from front of drawer, including handle	400
③ Depth of drawer (open) measured from front of drawer, excluding handle	360
④ Minimum door clearance to adjacent wall* (115° - full internal access)	300
⑤ Minimum door clearance to adjacent wall* (90° - reduced internal access)	100

* Measured from front cabinetry edge, includes 2mm cabinetry gap.

For 90° door swing a hinge limiting pin is supplied with your refrigerator. This pin fits in the boreholes of the top hinge (refer to **Z**).

WARNING!

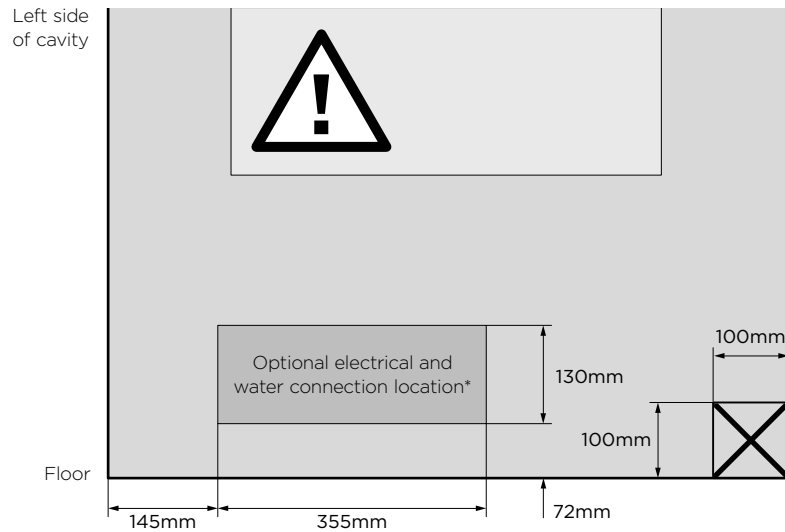
Before opening doors to the product, ensure the product is on its base packer and the polystyrene stability blocks are still in place. Failure to follow these instructions could lead to serious injury or death.

- ① Open door to 90°.
- ② Align the hinge limiting pin vertically with the bore hole.
- ③ Use a hammer to drive the pin through the bore hole.

⑦ ELECTRICAL AND PLUMBING

WARNING!

Electrical shock hazard. Assume all parts are live.
Disconnect supply before servicing and installation.



REAR VIEW OF CAVITY

Note: We recommend to use an isolating switch that is easily accessible to the user after the refrigerator is installed.

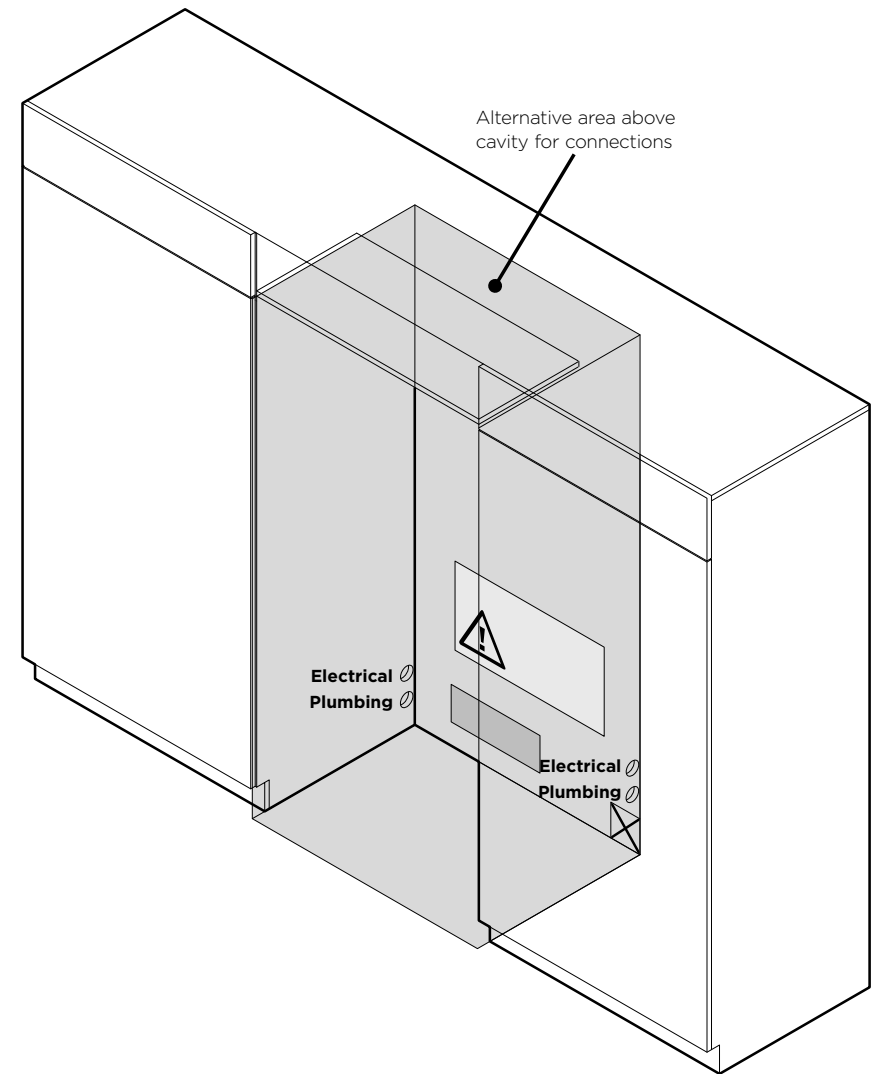
	RS90A	RS90AU
ELECTRICAL SPECIFICATIONS		
Supply	230 VAC, 50 Hz	230 VAC, 50 Hz
Service	10 amp circuit	10 amp circuit
PLUMBING SPECIFICATIONS		
Supply	-	½" BSP threaded water connection 6.35mm PEX tubing
Pressure	-	Minimum 22 psi (150 kPa) Maximum 120 psi (827 kPa) @ 20°C

Note: recommended that the electrical & water connection be located in an adjacent cabinet to either side of the fridge or above the fridge cavity.

✕ Do not locate water or electricity in this area, keep clear of connections.

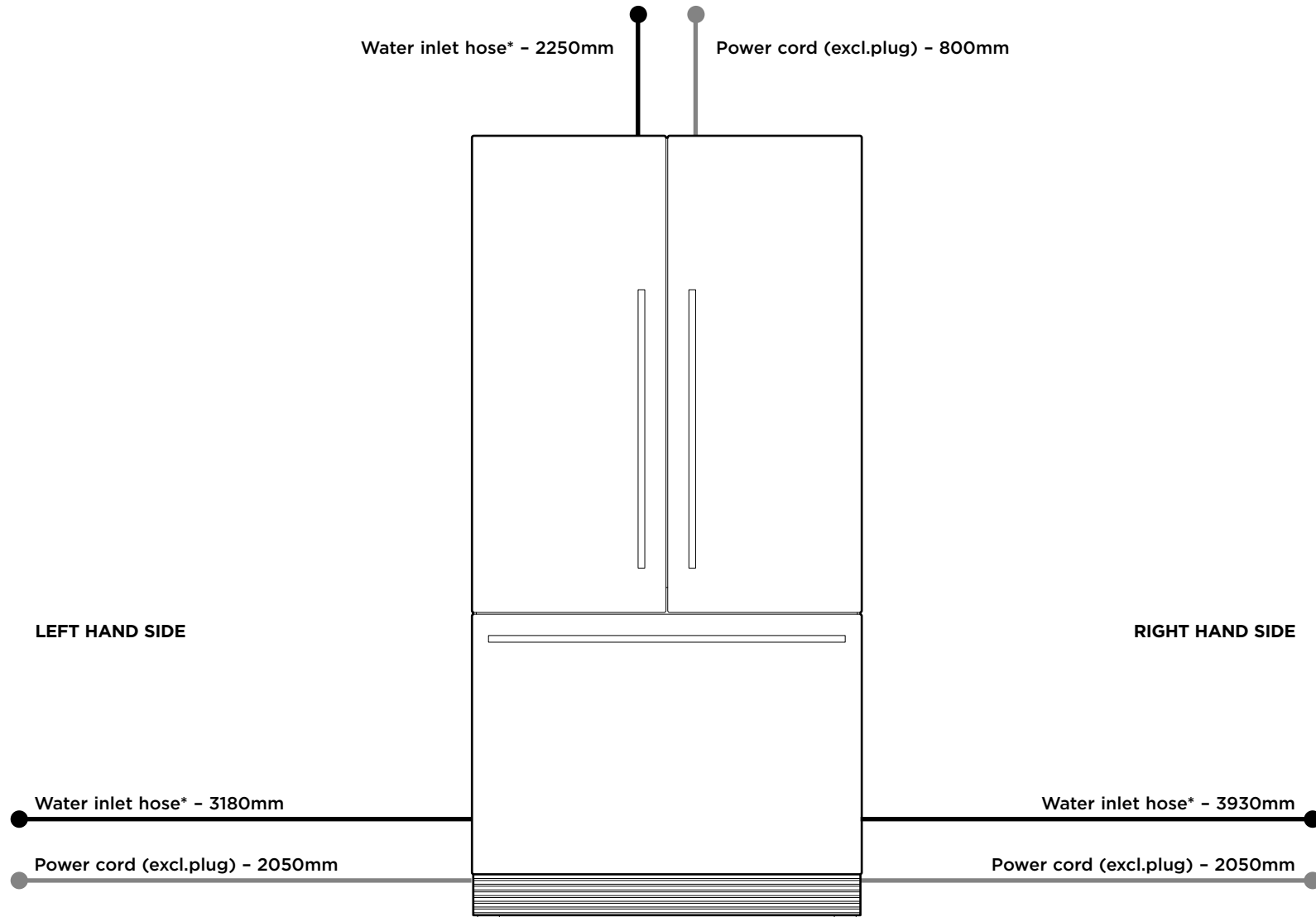
⚠ CAUTION: Central area can only fit water outlet and electrical plug if they are placed within a recessed cavity.

* In this location the water tap needs to be recessed into the wall, the recess must allow for an 80mm bend radius for the water tube.



⑦ ELECTRICAL AND PLUMBING

Maximum distance of hose and power cord



* Applies to Ice & Water models with Fisher & Paykel door panels only.

IMPORTANT!

Ensure your refrigerator is not exposed to any heat generating appliance eg cooktop, oven or dishwasher.

The refrigerator has front and rear rollers for moving the refrigerator forward and backward. Do not move the refrigerator sideways to avoid damaging the rollers or floor covering/surface.

The refrigerator must be installed by a qualified installer, or Fisher & Paykel trained and supported service technician to avoid faulty electrical connection and water leaks.

All connections for water, electrical power and grounding must comply with local codes and ordinances and be made by licensed personnel when required.

Avoid installation of the refrigerator/s under a ground fault circuit interrupter (GFCI).

Ensure the refrigerator is installed properly. Improper installation that results in refrigerator failure is not covered under the refrigerator warranty.

Check the installation location

Check the cabinetry

Check the dimensions of the cabinetry (width, depth, height, floor level, finished alcove returns).

Ensure that the ventilation openings in the cabinetry are clear of obstruction.

For integrated installation, a finished return of solid material is required across the top and sides of the new or existing alcove.

Check the power supply connection

Ensure that there is a separate power outlet for each refrigerator.

Avoid sharing the power point with other appliances to prevent accidental switching off of the refrigerator.

For power requirements, refer to the information on the serial plate. This is located at the front right-hand side of the drawer when open.

Ensure your refrigerator is properly grounded (earthed).

Connect the refrigerator to the electrical supply (230 VAC, 50 Hz) with fitted plug and lead.

We recommend to use an isolating switch that is easily accessible to the user after the refrigerator is installed.

Follow the National Electrical Code and all local codes and ordinances when installing this refrigerator.

Check the water supply connection (for Ice & Water models only)

Your product must be installed by a qualified refrigerator installer as incorrect plumbing can lead to water leaks.

Fisher & Paykel is not liable for damage (including water damage) caused by faulty installation or plumbing.

Check your refrigerator

Ensure that your refrigerator is the correct model as per your order.

Ensure that the packaging is not damaged upon delivery.

Check that the components and install kits are complete.

Prepare the door panel set

The refrigerator does not include a door panel set.

Custom door panels are designed only for non-Water dispensing models.

For a custom integrated design of non-Water dispensing models, the customer should supply their own custom door panel set.

- All the hardware required to mount the door panel sets to the refrigerator doors is supplied with the refrigerator.

Door panel sets are available through your Fisher & Paykel dealer.

- Fisher & Paykel door panel sets are available (Stainless steel door panels)
- Model numbers: RD90U or RD90.

Handle sets are optional for custom door panels and can also be purchased through your Fisher & Paykel dealer.

9 ATTACH ANTI-TIP BRACKET

IMPORTANT!

Ensure the refrigerator door is closed when rolling into cabinetry.

DO NOT attempt to open the door until refrigerator is fully installed.

The anti-tip bracket and fittings supplied must be fitted to the wall of finished enclosure to withstand 220 lbs (100kg) load.

Ensure that anti-tip bracket is installed correctly to prevent the refrigerator tipping forward when door is open.

WARNING!

Read the following reminders before fastening with masonry plugs and/or screws:

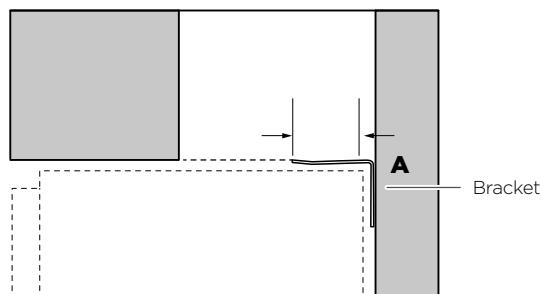
Ensure the screws avoid electrical, gas and water conduits.

Ensure the surface of the bracket is fastened to withstands a 220.5 pound (100kg) load. Ensure light-weight masonry material such as cinder block and new concrete (no curing time) are not used in installation.

Do not use metallic materials that may corrode, stain and/or damage the enclosure.

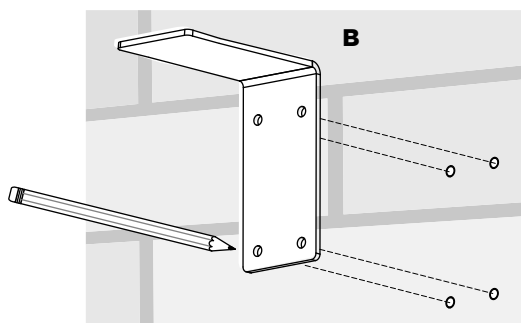
- ① Project horizontally from the bottom end of the alcove return towards the back wall (A).

- This will locate the contact surface between the bracket and the top surface at the back end of the refrigerator.



- ② Mark the screw locations of the anti-tip bracket on the wall based on the most central wall stud (B).

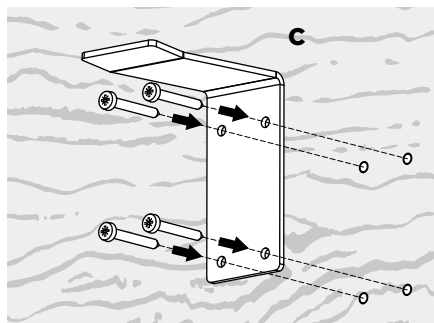
- If there are no wall studs, the bracket can be installed to solid brick walls with masonry plugs. (However, not recommended to be used on perforated brick or hollow concrete bricks).



- ③ Drill screw holes to the marked locations.

- ④ For wooden/plaster board wall installation:

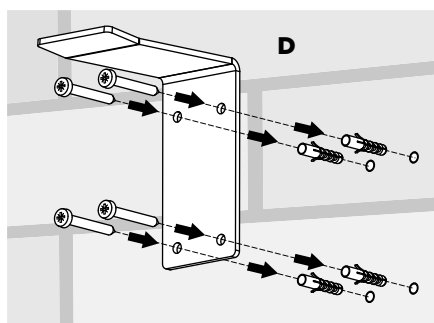
Fix the bracket to the wall with 10-12x35mm pan head screws (4x), and screw tightly (C).



- ⑤ For solid wall installation:

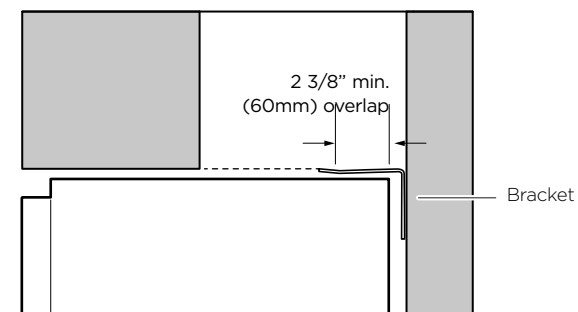
Hammer 10x30mm masonry plugs (x4) into the wall until flush.

Fix the bracket to the wall with 10-12x35mm pan head screws (4x), and screw tightly (D).

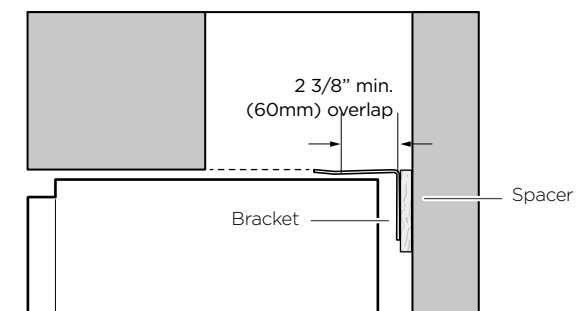


IMPORTANT!

When positioning the refrigerator in the cabinetry, ensure that the bracket overlaps the refrigerator by a minimum 60mm for a secure hold.



If the minimum 60mm overlap cannot be achieved, install a solid spacer to the wall stud behind the bracket.

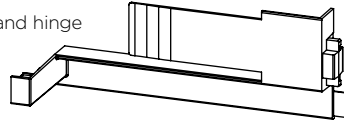


10 REMOVE HINGE END CAPS

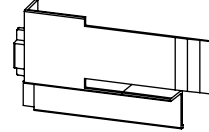
WARNING!

Take care when working with the refrigerator outside of the finished enclosure, as the refrigerator is not secured and has the possibility of tipping forward. Tipping of refrigerator can lead to serious injury or death.

Left hand hinge



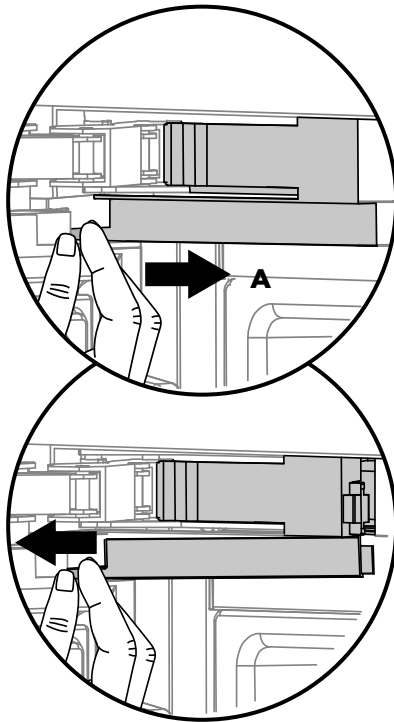
Right hand hinge



- 1 Open the right and left doors carefully.

- 2 Remove the left hinge end cap (A).
Hold onto the corner of the end cap, firmly push to the right to disengage securing hook and pull down.

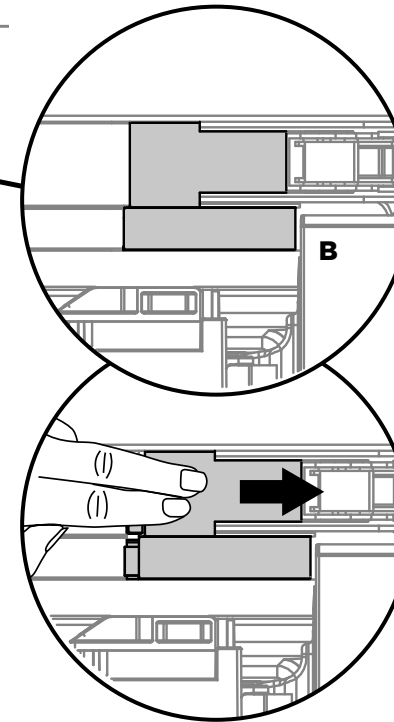
Pull cap gently towards the left hinge to remove.



- 3 Remove the right hinge end cap (B).
Press on the centre of the end cap.

Push towards the right hinge to remove.

- 4 Set aside both end hinge caps for later installation.



11 CONNECT TO WATER AND POWER SUPPLY

IMPORTANT!

The water connection instructions below are intended only for the professional installer. The standard refrigerator does not include water fittings and can be purchased separately by the customer.

Fisher & Paykel water fittings are available (part number: 841301) and comply with local regulations. Ensure water tubing is routed away from any sharp objects, sharp corners, and not in a location where it can be kinked or squashed. Beware of kinking the tube as this will stop water flow. Ensure a firm contact is observed as the refrigerator engages the anti-tip bracket, min. 60mm overlap.

IMPORTANT!

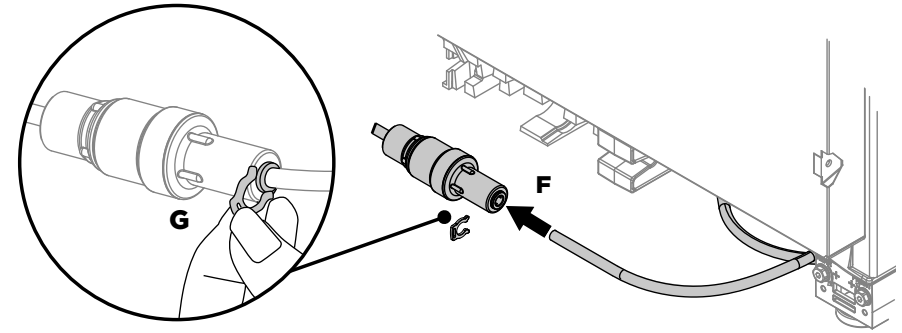
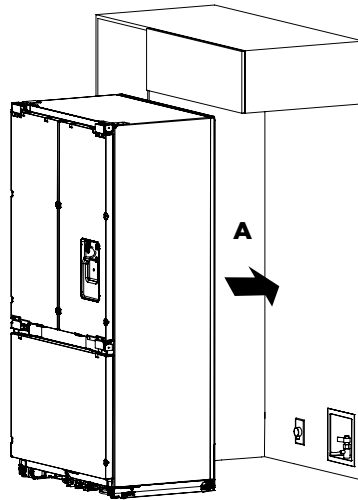
Ensure that the power cord and water tubing are not rolled over or damaged when pushing the refrigerator into position.

Connecting to the water tap

- 1 Move the refrigerator in front of the cabinetry close enough to allow access behind for power and water connections (A).



- 2 Uncoil the tubing from the back of the product, and insert the tubing firmly to water tap connection (B).
 - The tube should push in at least 16mm before reaching the stop.
- 3 Pull gently on tubing to ensure it is locked in (C).



- 6 Firmly insert water tubing into the PRV. The tube should push in at least 16mm before reaching the stop. Once inserted, pull gently on tubing to ensure it is locked in (F).

Secure the connection by attaching the locking key in between the PRV and water tubing (G). Mount the PRV back into the clip.

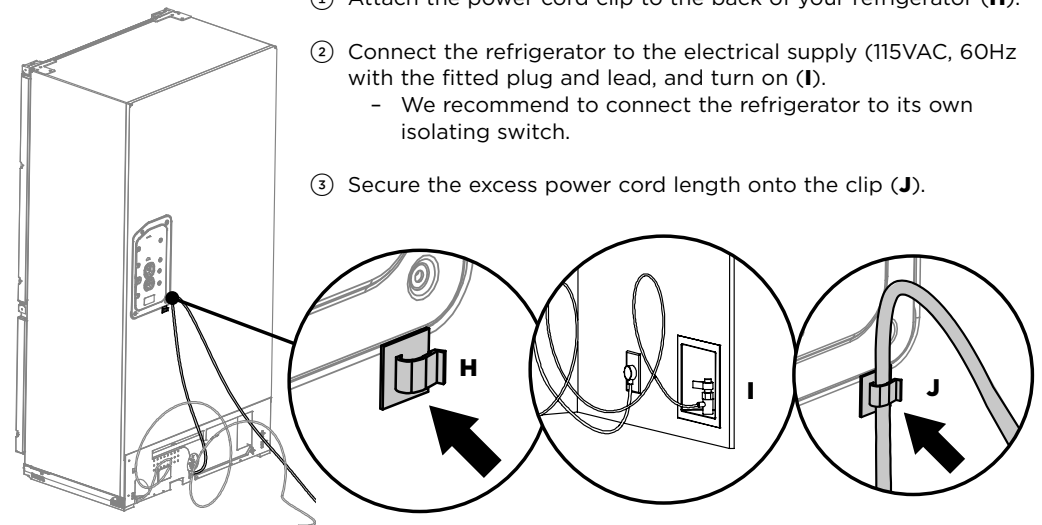
Connecting to the power outlet

- 4 Secure connection by attaching the locking key in between the water tap connection and locking collet (D).
- 5 Fasten the water tap connection to the cold water supply tap. Take care not to over-tighten the tap connection (E).

Note:

The water tap connection supplied should fit most installation situations. Turn isolating tap on and check that all connections are dry and free of drips.

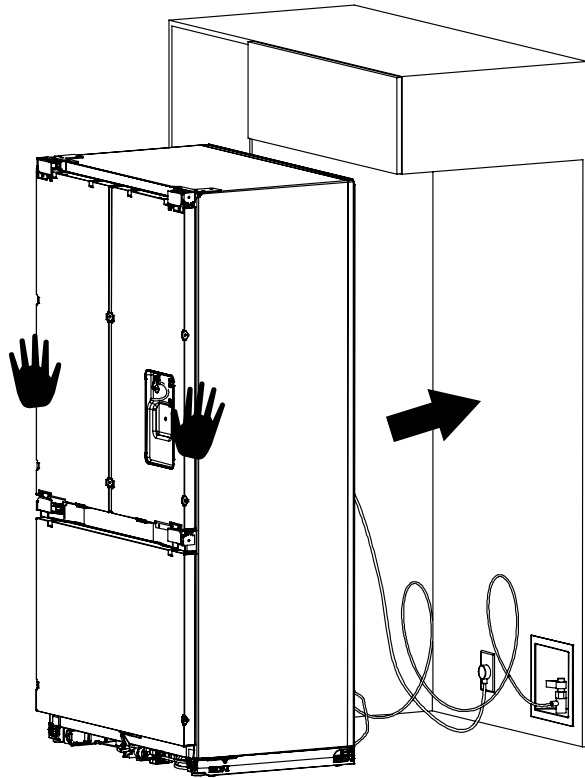
- 1 Attach the power cord clip to the back of your refrigerator (H).
- 2 Connect the refrigerator to the electrical supply (115VAC, 60Hz with the fitted plug and lead, and turn on (I).
 - We recommend to connect the refrigerator to its own isolating switch.
- 3 Secure the excess power cord length onto the clip (J).



12 ALIGN YOUR PRODUCT INSIDE THE CABINTRY

IMPORTANT!

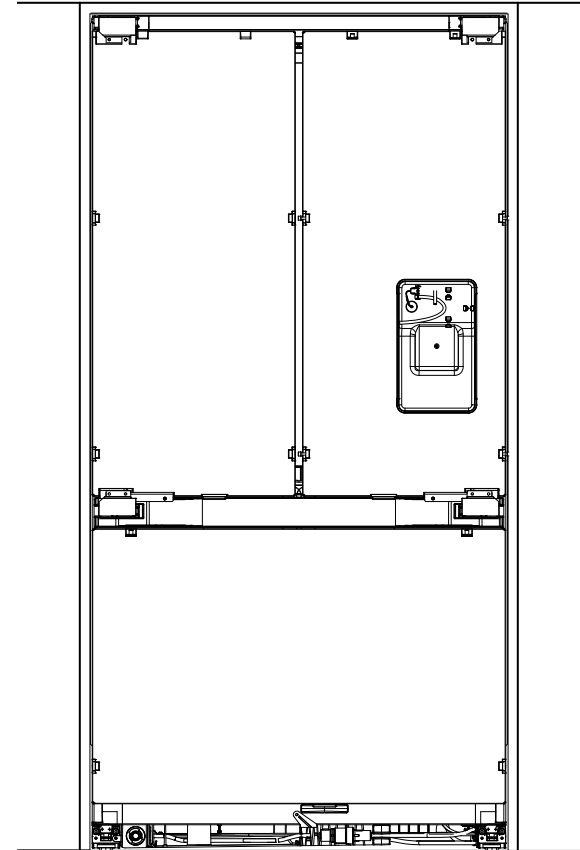
Your product is fitted with front and rear rollers designed for moving the product in the forwards and backwards direction. Avoid moving the product in a sideways direction as this may damage the rollers or the floor covering/surface.



IMPORTANT!

Ensure water tubing is routed away from any sharp objects, sharp corners (beware of kinking the tube as this will stop water flow), and not in a location where it can be kinked or squashed.

- ① Gently push the refrigerator into the enclosure.
 - Take care not to roll over or damage the power cord and/or water tubing.
- ② Ensure a firm contact is observed as the refrigerator engages the anti-tip bracket (60mm min. overlap).



- ③ Centre the refrigerator within the alcove, using the adjacent walls as a guide.

12 ALIGN YOUR PRODUCT INSIDE THE CABINETY

IMPORTANT!

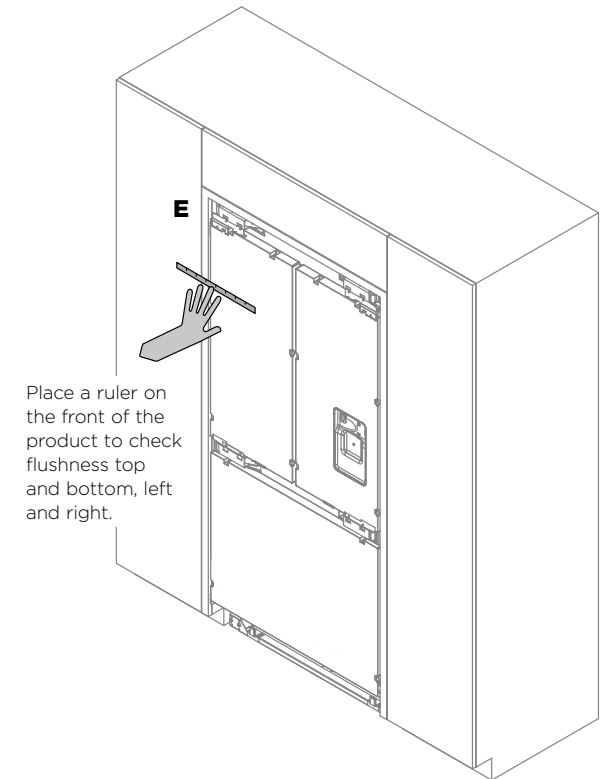
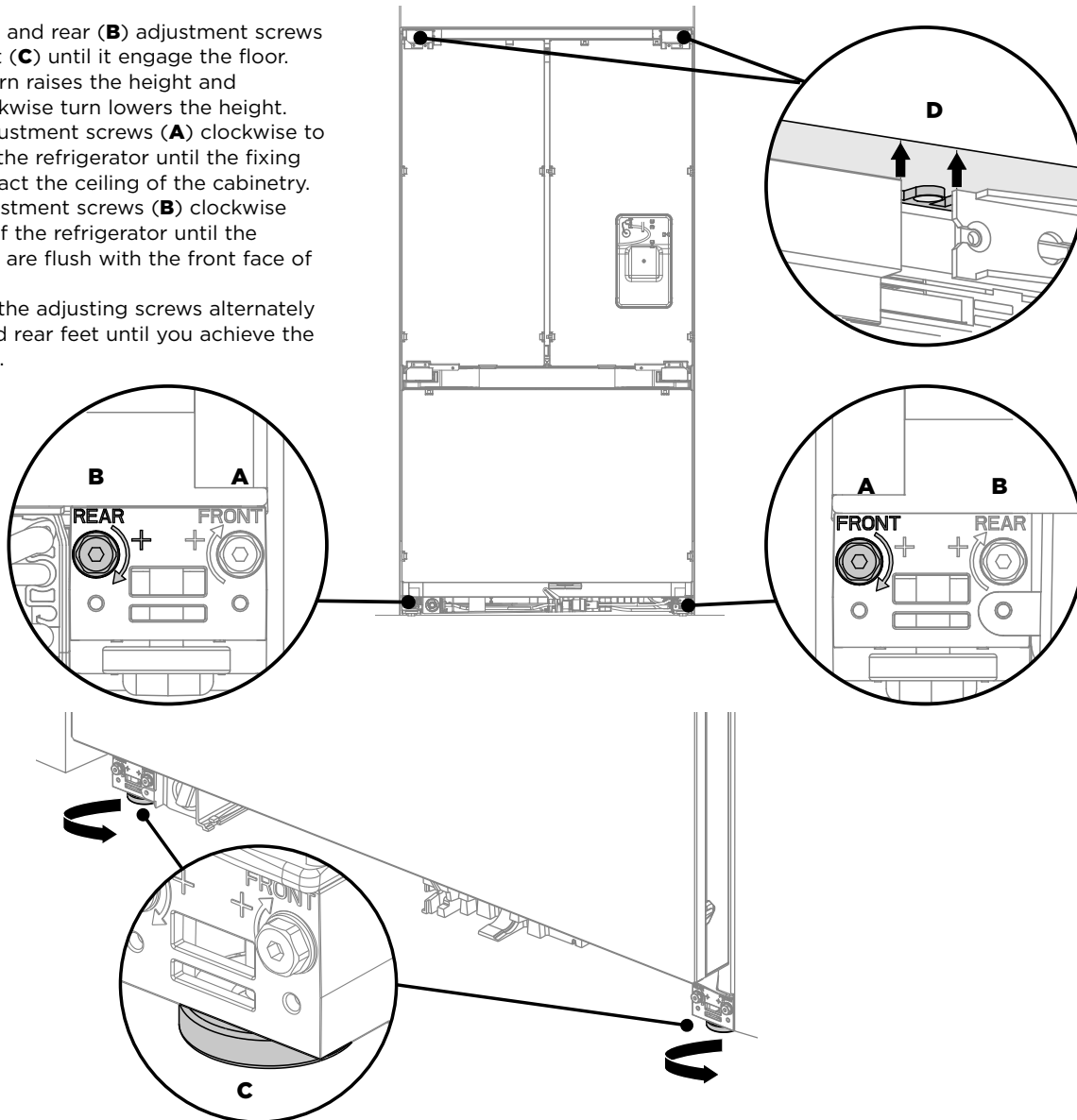
It is important that all four corners of the product is supported firmly onto the floor to eliminate any movement.

Installing the refrigerator on a soft or uneven/unevelled floor may result in twisting of the product and poor door sealing.

Raise the product using an 11mm hex socket or 4mm hex Allen key. One turn of height adjusting nuts is equivalent to 1mm height travel.

Note: Maximum turn – 20mm.

- 1 Turn the front (A) and rear (B) adjustment screws to extend the feet (C) until it engage the floor.
 - Clockwise turn raises the height and counter-clockwise turn lowers the height.
- 2 Turn the front adjustment screws (A) clockwise to raise the front of the refrigerator until the fixing brackets (D) contact the ceiling of the cabinetry.
- 3 Turn the rear adjustment screws (B) clockwise to raise the rear of the refrigerator until the refrigerator doors are flush with the front face of adjacent walls
- 4 Continue turning the adjusting screws alternately between front and rear feet until you achieve the correct alignment.



Place a ruler on the front of the product to check flushness top and bottom, left and right.

- 5 Place a ruler (E) on the front of the product to check flushness top and bottom, left and right. Check the gaps between refrigerator and adjacent cabinetry are even on both sides.
 - This step will help ensure the refrigerator is level with the adjacent cabinetry.
- 5 Gently push the front of the product to check the stability.

IMPORTANT!

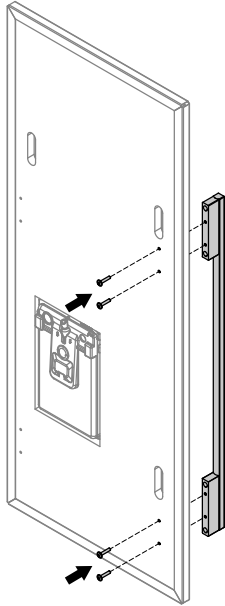
Ensure door panel dimensions are correct for your refrigerator.

The assembly of standard Fisher & Paykel kits (Stainless steel door panels) and custom door panels are outlined below. For standard Fisher & Paykel kits, only remove the protective film for handle installation. This will protect the finish of the door panels until installation is complete.

French door panel**① Mounting handle**

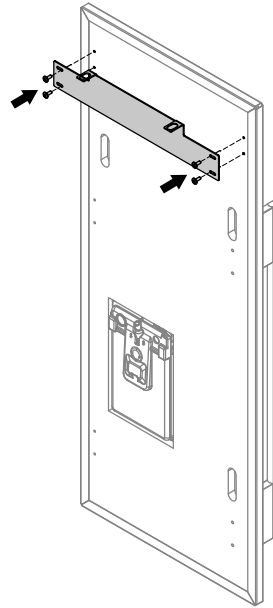
For Fisher & Paykel kits, remove plastic plugs (4x) from handle pilot holes on panel. Align handle to holes and secure with screws (4x).

For custom panels, ensure handle is mounted 65mm from inner edge of panel to the centre - this will avoid interference with brackets.

**② Hanging bracket**

For Fisher & Paykel kits, align bracket to pilot holes and secure with M5x14 Mush Phillips SS (4x).

For custom panels, secure bracket with screw washer (4x).

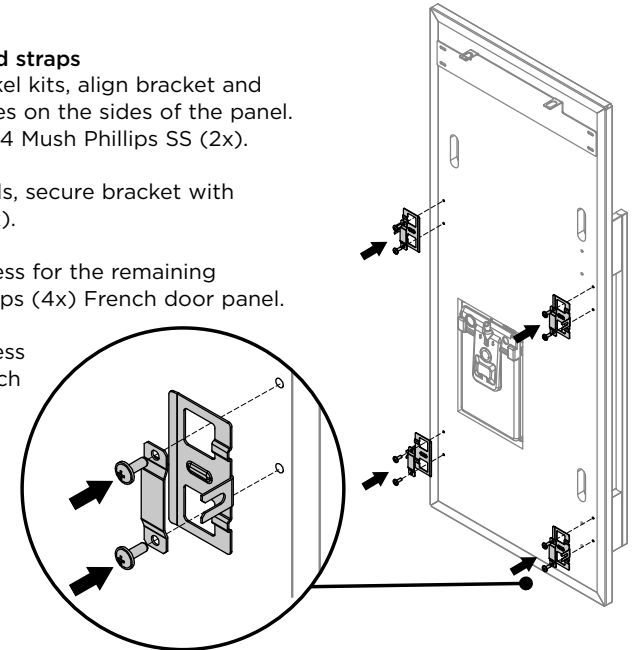
**③ Side brackets and straps**

For Fisher & Paykel kits, align bracket and strap to pilot holes on the sides of the panel. Secure with M5x14 Mush Phillips SS (2x).

For custom panels, secure bracket with screw washer (2x).

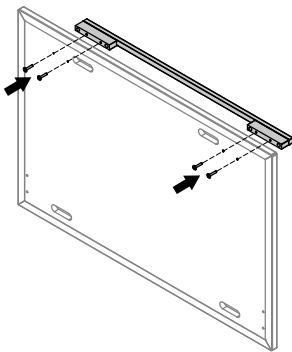
Repeat this process for the remaining brackets and straps (4x) French door panel.

Repeat this process for the next French door panel.

**Drawer panel****④ Mounting handle**

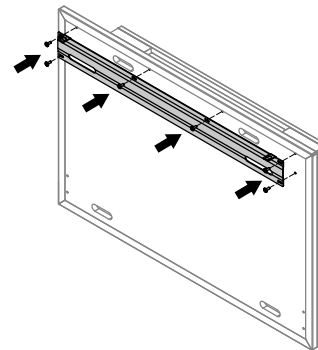
For Fisher & Paykel kits, remove plastic plugs (4x) from handle pilot holes on panel. Align handle to holes and secure with screws (4x)

For custom panels, ensure handle screw heads are counter sunk into back of panel to avoid interfering with hanging bracket.

**⑤ Hanging bracket**

For Fisher & Paykel kits, align bracket to pilot holes and secure with M5x14 Mush Phillips SS (6x).

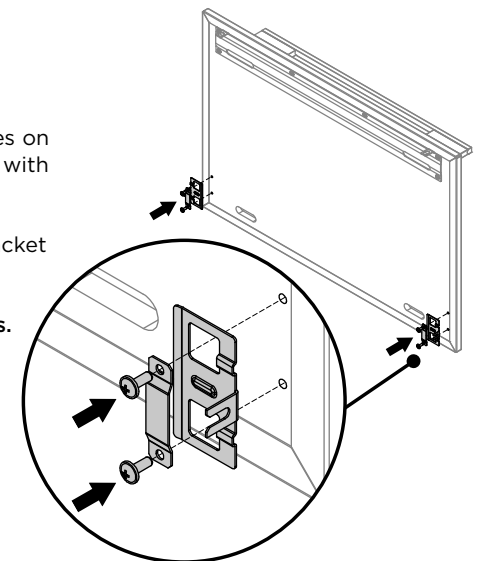
For custom panels, secure bracket with screw washer (6x).

**⑥ Side brackets and straps**

For Fisher & Paykel kits, align bracket and strap to pilot holes on the sides of the panel. Secure with M5x14 Mush Phillips SS (2x).

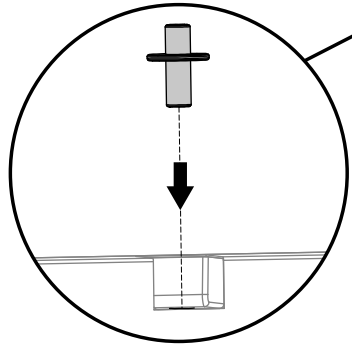
For custom panels, secure bracket with screw washer (2x).

Repeat this process for the remaining brackets and straps.



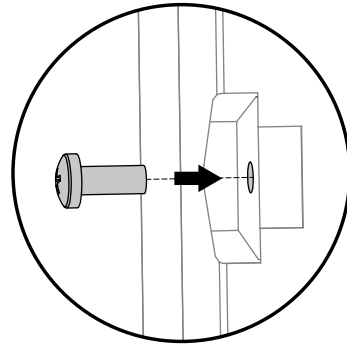
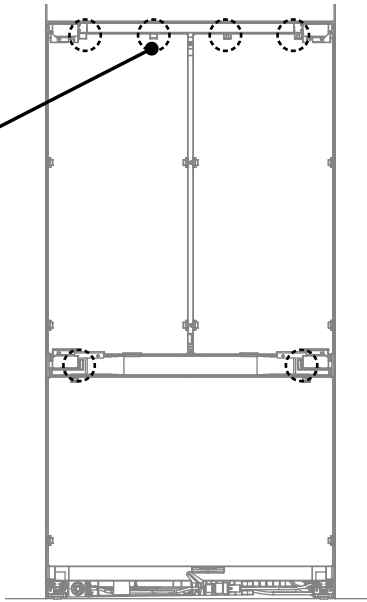
14 HANG THE DOOR PANELS

For non-Ice & Water models only



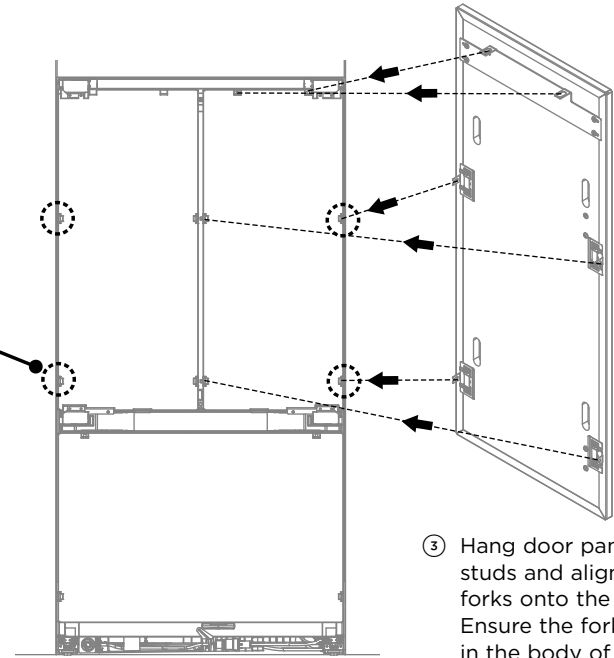
- Secure top studs into the refrigerator doors, ensure the open end faces the top.

Repeat on all refrigerator doors.

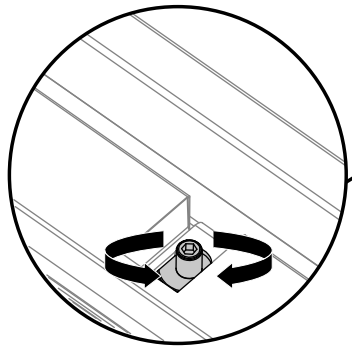


- Secure side screws mid-way into the refrigerator doors x4 for each French door and drawer (2x).

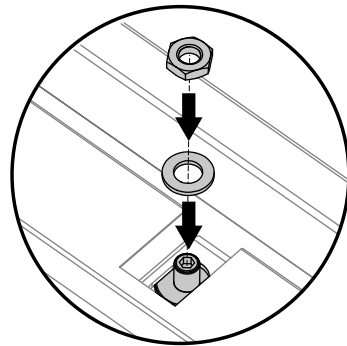
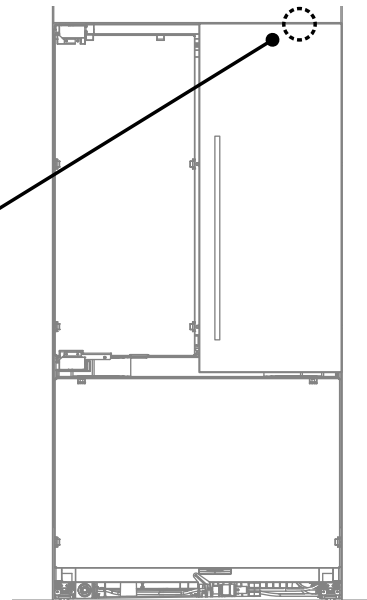
Repeat on all refrigerator doors.



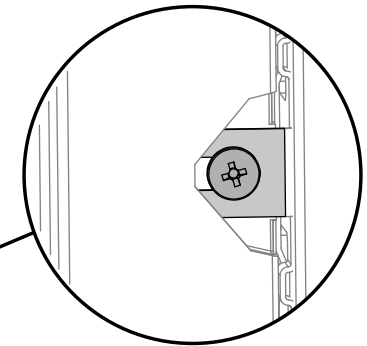
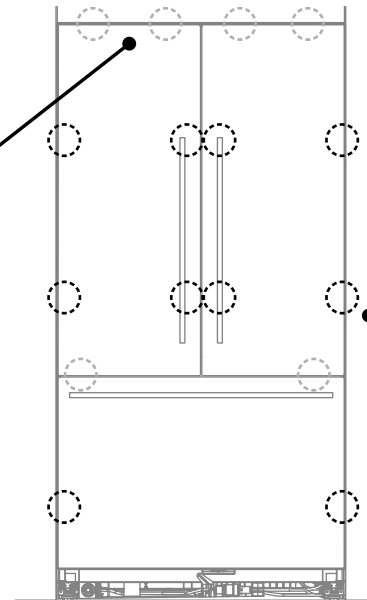
- Hang door panel onto the top studs and align the side bracket forks onto the refrigerator door. Ensure the forks are positioned in the body of the side screw.



- Door panels have full axis adjustment to ensure they are flush with adjacent walls, or until satisfactory. To adjust the height of the panels turn clockwise to raise stud or counter-clockwise to lower stud.



- Once satisfied, secure top door studs with M8 washer and M8 nut. The top of the stud must remain below the top face of the door panel.

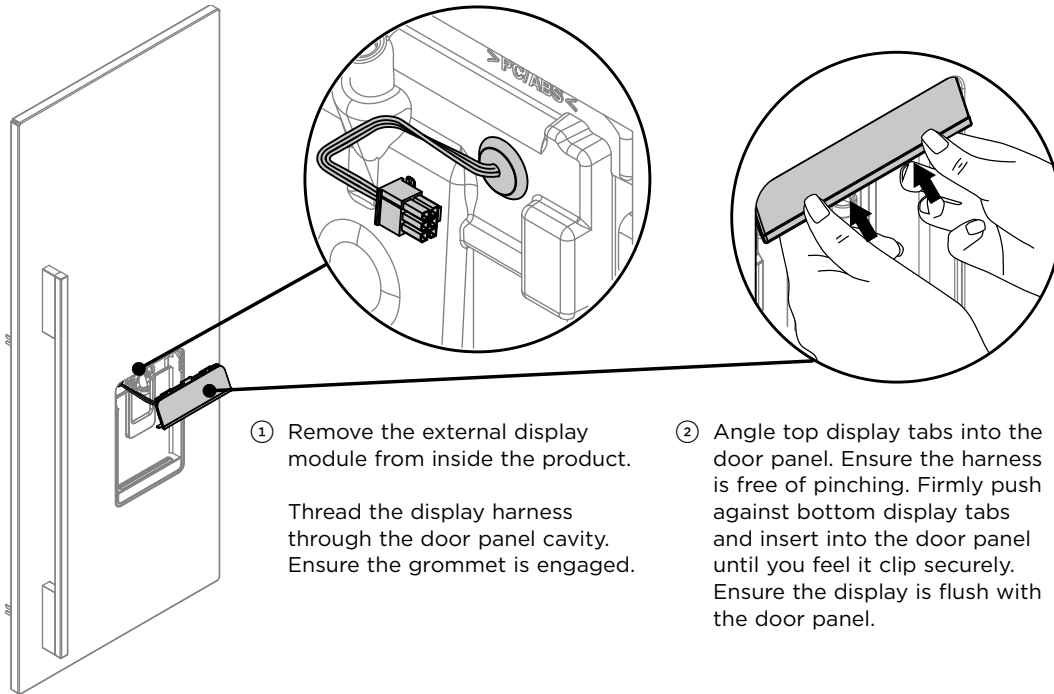


- Secure side bracket forks by tightening side studs.

Repeat this process for all other non-Ice & Water panels.

14 HANG THE DOOR PANELS

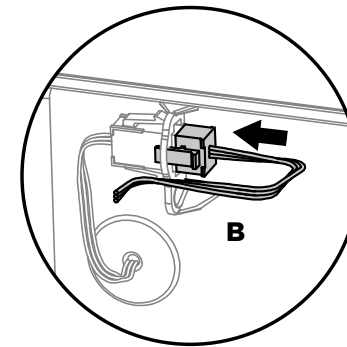
For Ice & Water models only




- ① Remove the external display module from inside the product.

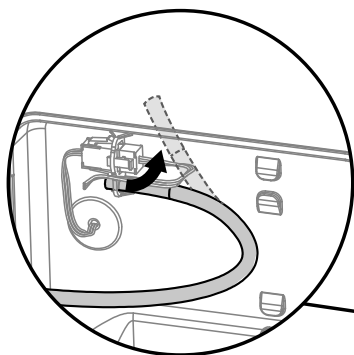
Thread the display harness through the door panel cavity. Ensure the grommet is engaged.

- ② Angle top display tabs into the door panel. Ensure the harness is free of pinching. Firmly push against bottom display tabs and insert into the door panel until you feel it clip securely. Ensure the display is flush with the door panel.



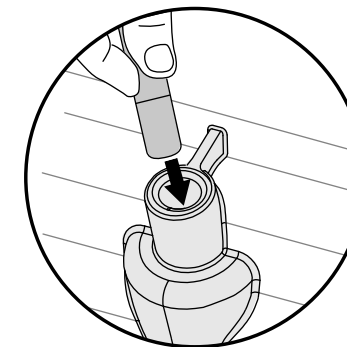
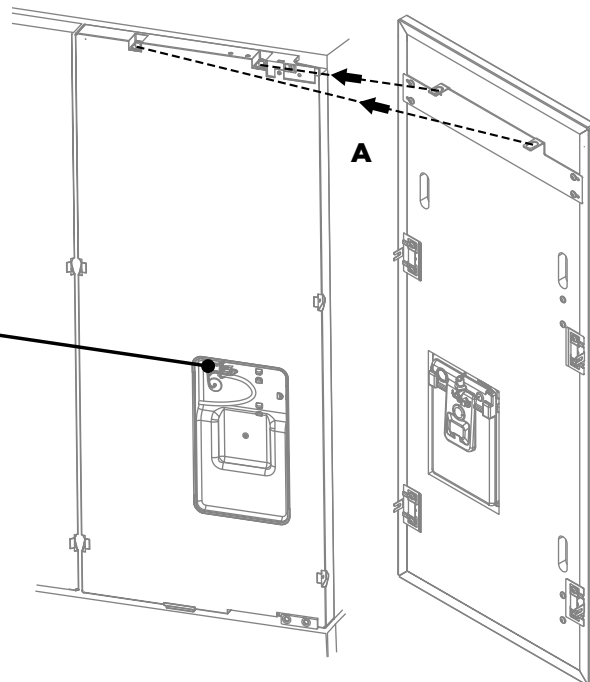
- ⑤ Connect display harness onto the refrigerator door by inserting firmly until you feel it clip securely (**B**).

On the external display, enable the dispenser lock, this will help prevent any water from dispensing during water connection. To lock, press the  button for 4 seconds. The LED above the button will illuminate.



- ③ Remove water tube from holder on the refrigerator door.

- ④ Hang door panel onto M8 studs. Ensure the panel is free to pivot for water connections (**A**).

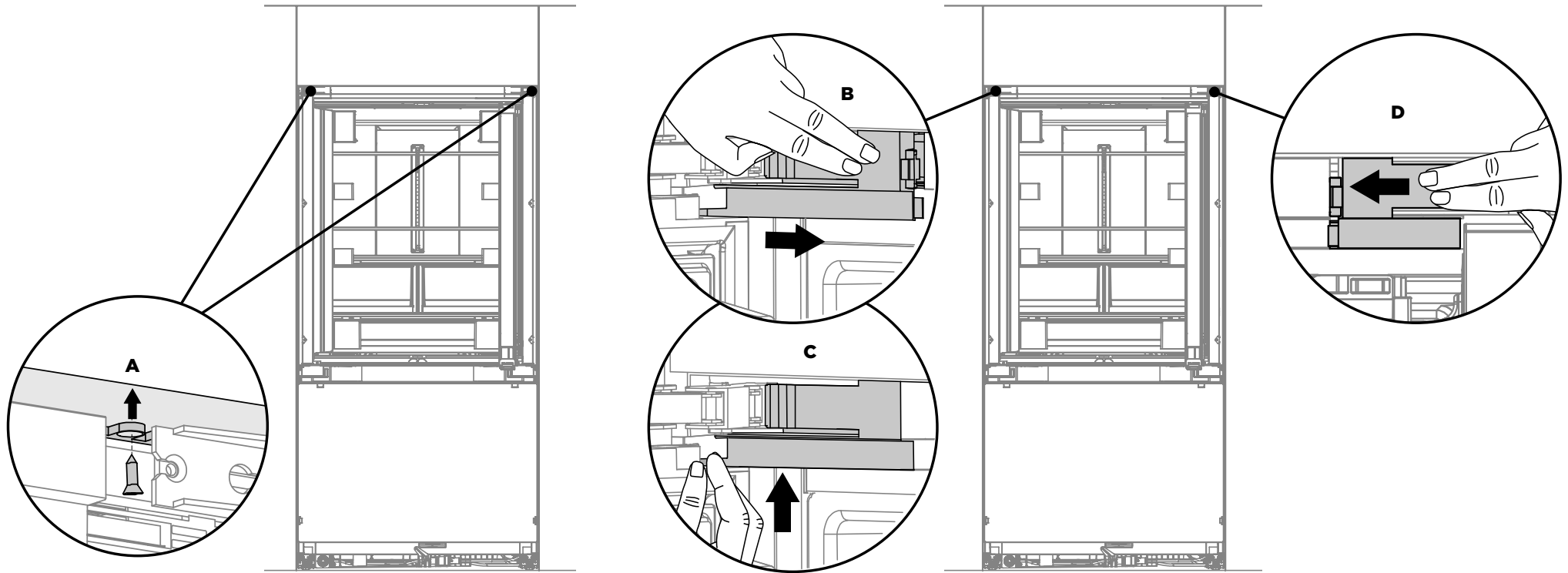


- ⑥ Firmly push the water tube into the spigot behind the door panel until the marked line is not visible.

Ensure the water tube is routed away from any sharp objects, sharp corners, and not in a location where it can be kinked or squashed when the door panel is secured, (as this will stop water flow).

To secure door panel, follow the instructions in the next section: 'Hang non-Water dispensing door panels'.

15 **FIX THE BRACKETS AND RE-INSTALL THE END HINGE CAPS**



- ① Secure fixing bracket to the ceiling of the enclosure with wood screw (1x) **(A)**.

Repeat on the opposite side.

- ② **Left hinge end cap**
Align hinge cap to the product.
Press and firmly slide the cap to the right **(B)**.
- ③ Hold onto the corner of the end cap, firmly push up and to the left to engage securing hook. Ensure cap is flush with the product **(C)**.

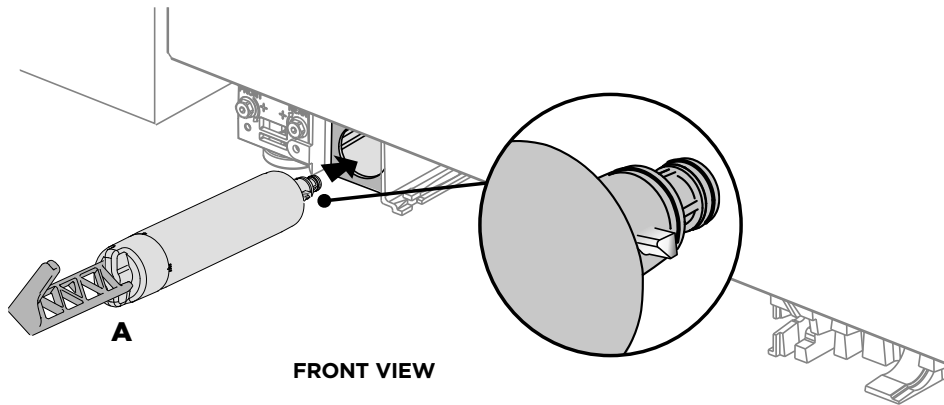
- ④ **Right hinge end cap**
Align hinge cap to product.
Press and firmly slide the cap to the left.
Ensure cap is flush with the product **(D)**.

IMPORTANT!

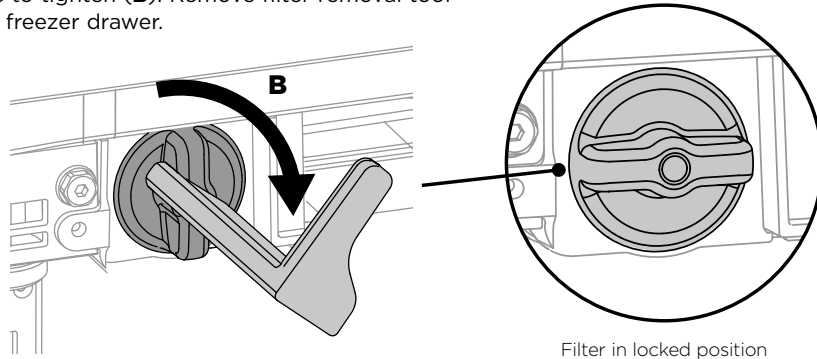
The water filter head must be firmly pushed into the product and secured. incorrect installation can lead to water leaks.

Installing the water filter

- ① Pull the freezer drawer out slightly and insert the filter into the casing at the bottom left corner of the refrigerator. Ensure the filter handle is positioned vertically (A).
- ② Push the cartridge firmly inside the casing all the way into the filter head.



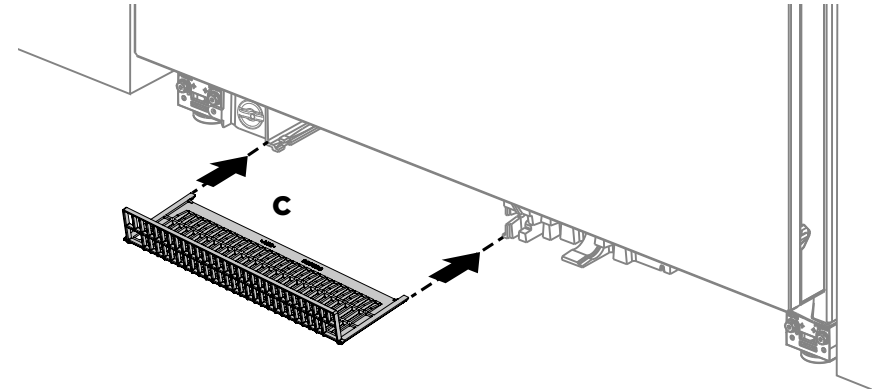
- ③ Align the filter removal tool over the filter handle and turn 90° clockwise to tighten (B). Remove filter removal tool and close the freezer drawer.

**Flushing the water filter**

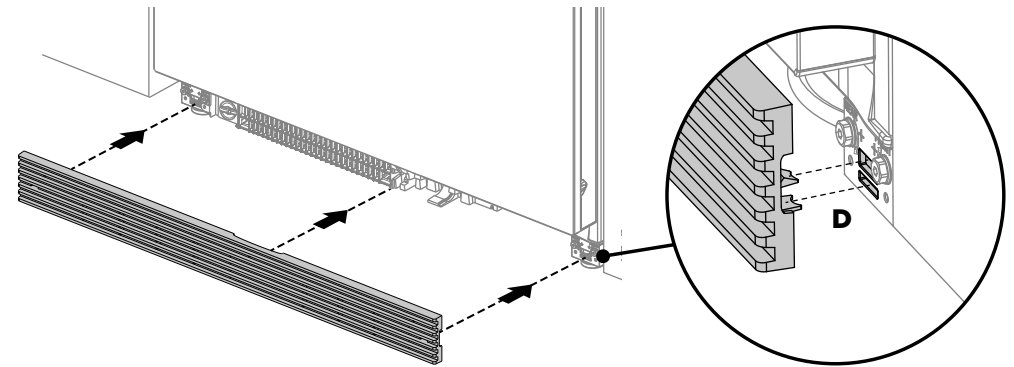
- ④ Before turning on your automatic ice maker, the water filter must be flushed to remove any impurities or trapped air in the water tank and filter system. Refer to the user guide 'Operating instructions – Automatic ice maker' for more information.

Installing the toe kick filter and grille

- ⑤ Remove filter from inside the product. Fit the filter onto the rails and push to the rear until it clips securely (C).

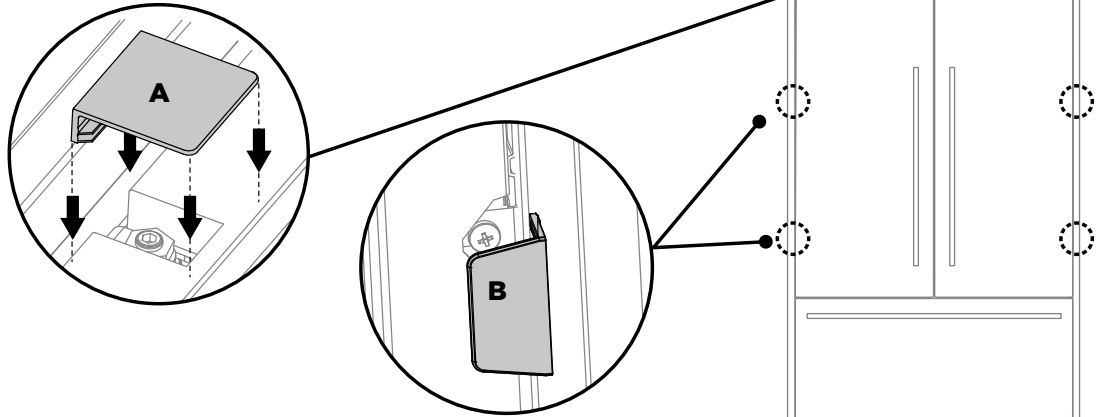


- ⑤ Align clips on the back of the grille with openings on front face of plinths. Push grille firmly onto refrigerator until the clips engage (D).



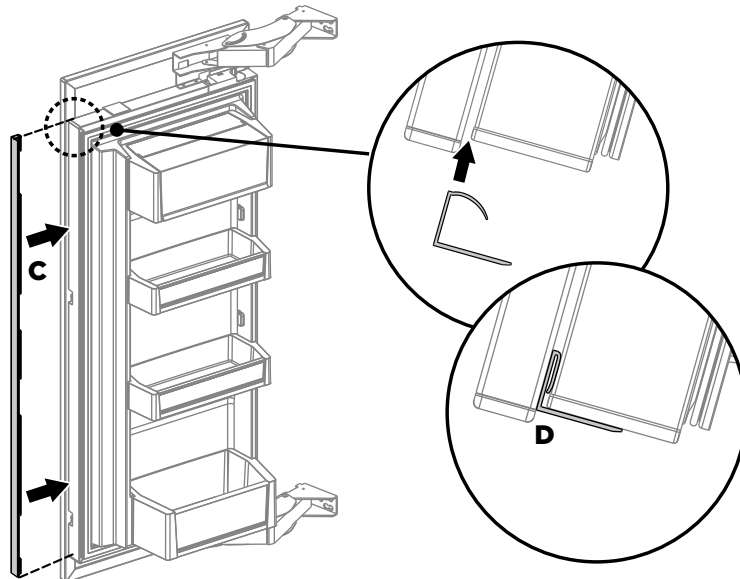
17 ATTACH COVERS AND DOOR/DRAWER TRIMS

- ① If applicable, remove any remaining protective film on your door panels.

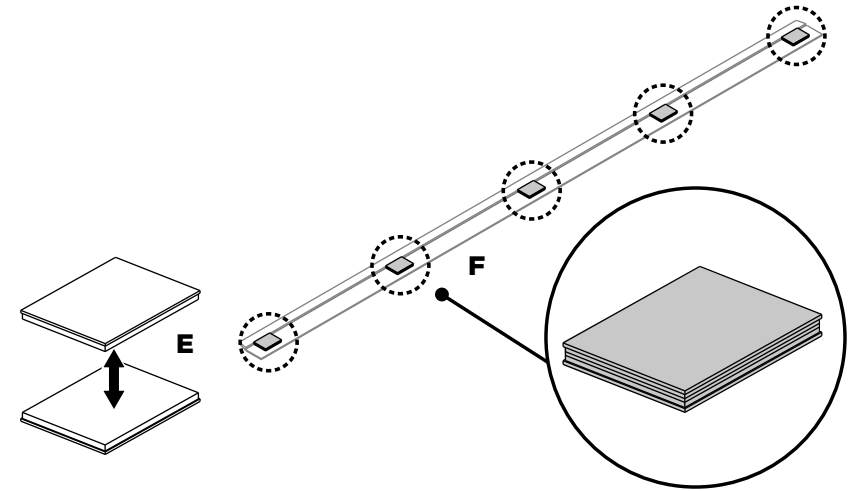


- ② Open the refrigerator French doors, firmly push top cover (A) over the top studs.

Open the refrigerator French doors, firmly push side cover (B) over the side studs.

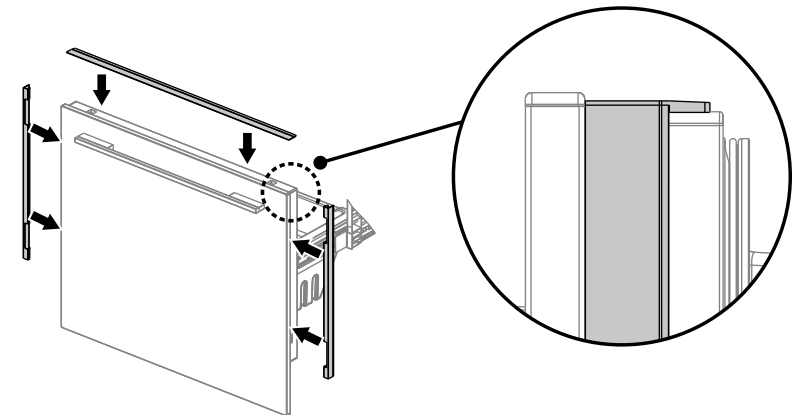


- ③ **Door side trims**
Install the side trims by inserting into the panel gaps on each side of the door(s) (C). Align the trim to the top of the door and press evenly into the panel gap until fully seated (D).



- ④ Press the dual adhesive tabs together to form pairs (E) and remove the adhesive backing on one side only.

Press firmly to install on the underside of the drawer top trim in the indicated locations (F).



- ⑤ **Drawer side trims**
Install the side trims in the same manner (refer to step ③).
- ⑥ **Drawer top trim**
Remove the remaining adhesive backing from the dual adhesive tabs. Locate the trim against the back surface of the panel and press down firmly. Ensure the trim is fully seated against the drawer surface.

✓ **TO BE COMPLETED BY THE INSTALLER**

All models

- Check all parts are installed.
- Ensure the refrigerator is level.
- Ensure the refrigerator is securely fastened to the cabinetry with the supplied anti-tip bracket and fittings.
- Ensure the doors/drawer can open and close freely with no resistance from surrounding cabinetry.
- Ensure hinge limiting pin is fitted for 90° door swing.
- Ensure all internal and external packaging is removed from the refrigerator before use.
- Ensure a manual ice maker cycle has been forced.

Ice & Water models only

- Ensure the water filtration system has been flushed.

Complete and keep for safe reference:

Model _____

Serial No. _____

Purchase Date _____

Purchaser _____

Dealer Address _____

Installer's Name _____

Installer's Signature _____

Installation Company _____

Installation Date _____

FISHERPAYKEL.COM

© Fisher & Paykel Appliances 2018. All rights reserved.
The product specifications in this booklet apply to the specific products and models described at the date of issue. Under our policy of continuous product improvement, these specifications may change at any time. You should therefore check with your Dealer to ensure this booklet correctly describes the product currently available.